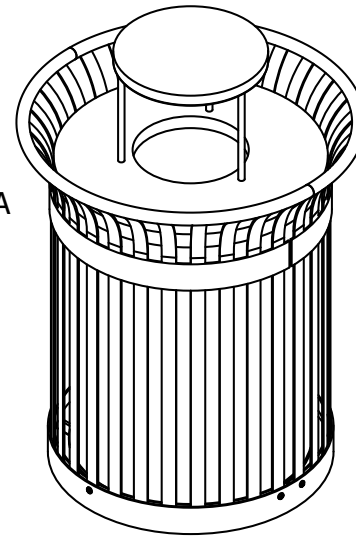
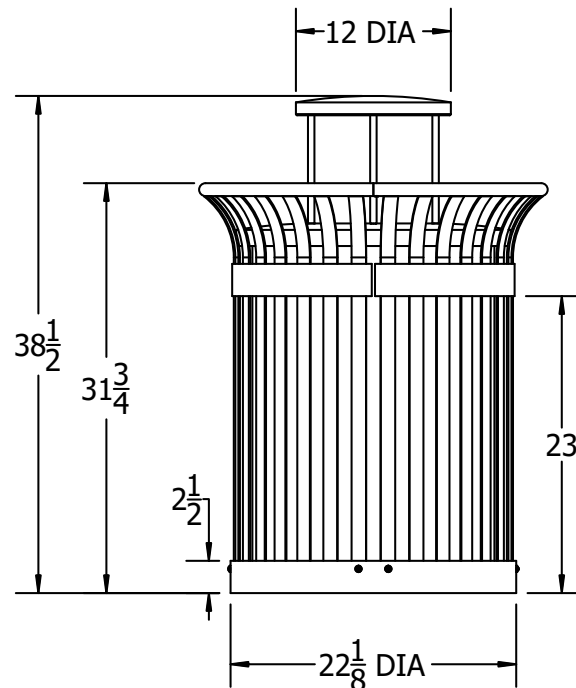


TOP VIEW



3D ISOMETRIC VIEW



FRONT/SIDE VIEW



BLA



GRE

**STANDARD COLORS**

INSERT COLOR CODE IN PRODUCT NUMBER  
BLACK= BLA, GREEN= GRE

EXAMPLE: BLACK RICHMOND 32 GAL.  
TRASH RECEPTACLE =  
PB 32RICH**BLA**

# Richmond 32 Gallon Receptacle

©COPYRIGHT 2013-2033

THIS COPYRIGHTED MATERIAL IS THE PROPERTY OF FROG FURNISHINGS AND SHALL NOT BE REPRODUCED, PUBLISHED OR DISCLOSED TO OTHERS WITHOUT AUTHORIZATION AND CANNOT BE USED IN ANY WAY AGAINST OR DETRIMENTAL TO JAYHAWK PLASTICS INC. OLATHE, KANSAS USA

Frog Furnishings  
15750 S. Keeler Terrace  
Olathe, KS 66062  
[www.frogfurnishings.com](http://www.frogfurnishings.com)

NOT TO SCALE  
Date: 04/2019  
INFORMATION IS SUBJECT TO CHANGE WITHOUT NOTICE

